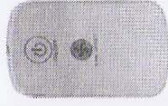
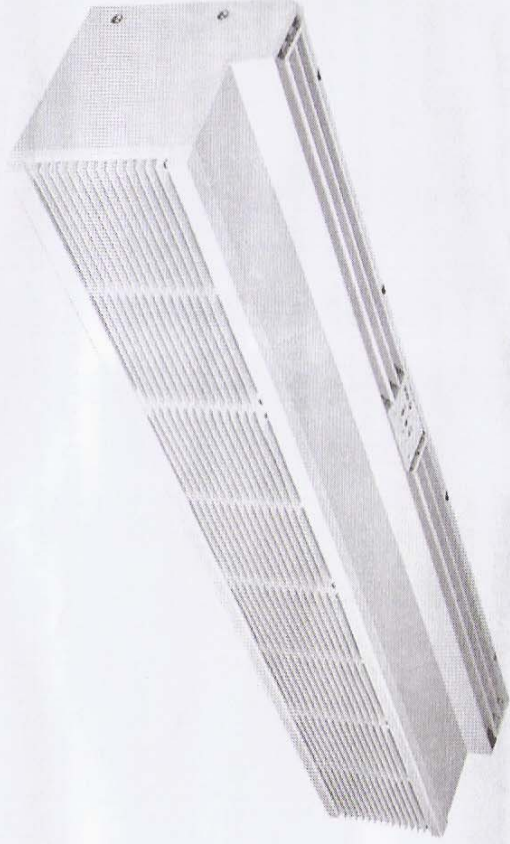


OWNER'S MANUAL

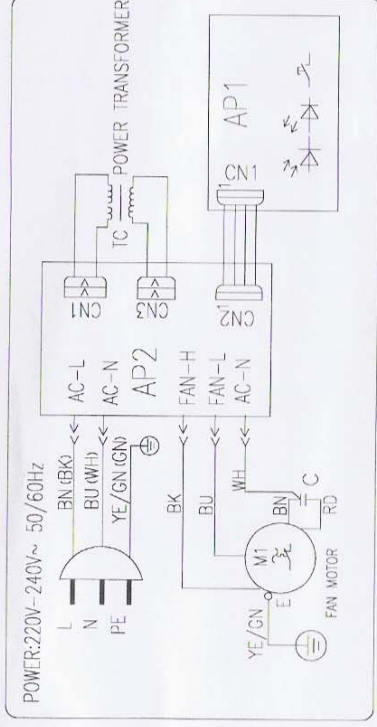
Air Curtain



Please read this manual carefully before operation.

6. Provide an electric leakage breaker and air-break switch should be installed at the power supply side.
7. The Air Curtain is to be installed so that the blades are more than 2.3m above the floor
8. The place where the AIR CURTAIN is to be installed must be taken to avoid the black flow of gases into the room from the open flue of gas or other fuel-burning appliance.
9. It is necessary to have the plug accessible after installation
10. The minimum distance between the various parts of the appliance and the surrounding structure is 300mm.

III. Circuiting Diagram



IV. Trial Running and Troubleshooting

When plugged in, press the ON/OFF button of the control panel, the unit will run at high-speed as the default mode. Press the HI or LOW button on the control panel, switch the unit between high-speed and the low-speed running. Press the ON/OFF button of the wireless remote controller, the unit will run at high-speed. When pressing the FAN button of control panel, the unit will be switched over from the high-speed running to the low-speed running.

If the unit does not run, please check:

1. Whether the power supply is well connected.
2. Whether the batteries of wireless remote control has electricity, if not please replace the batteries.

V. Maintenance

Broken power cord must be replaced by the manufacture, its service agent or similarly qualified persons in order to avoid a hazard.

When cleaning the unit, make sure to pull the plug out. Please wipe the machine by soft cloth. Clean the inside of the unit by vacuum cleaner. Add oil to lubricate the bearing of the fan motor at least once a year.

I . Working principle

The cross flow fan in the machine suck in the indoor air, blown down to the floor at a high speed. And the downward airflow formed an invisible "wall".

The air curtain is usually installed on the upside of the door or the window, when the door or the window is opened, the airflow of the air curtain can effectively isolate the air of the indoor side and outdoor side. In this way, it reduces the leakage of indoor cool air, and prevent the mosquitoes and dust from entering the room as well.

The length of air curtain should be consonance with the width of the door or the window, put two sets of unit or more side by side to cover the width of the door or window entirely.

In order to obtain more efficiency, the air outlet of the air curtain should be paralleled with the door head, ensure that the speed of airflow which arrived at the floor should be more than 2.5meters/sec.

II . Installation

The installing location should be firm enough, free of vibration. The unit cannot be installed in the damp or the water-leaking place, and should avoid the directly lighting of sunlight.
Installation method:

Take out the wall-mounted frame, put it attach to the wall, to confirm the installation position of the bolt holes and to make the mark on it.

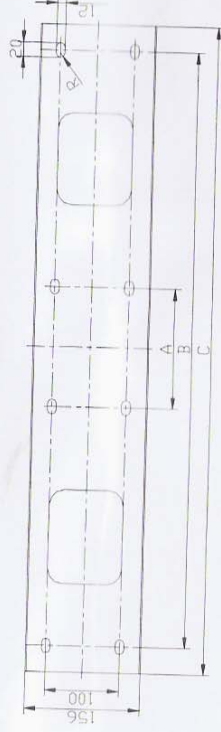
To drill the expansion bolt hole on the marked position.

To fix the wall-mounted frame on the wall with 8pcs M10 expansion bolt, the installation must be firm and reliable.

Hang the unit on the wall-mounted frame, and screw down the 4pcs bolt under the unit.

To check whether the unit is well installed, the body level and plug in.

The dimension diagram for holes position of wall-mounted frame was shown in below:



Air Volume	A	B	C
1200 m ³ /h	160	800	870
1650 m ³ /h	160	1100	1170

Note:

1. Please install unit on the indoor side.
2. Do not install or use the unit in place where there be:
 - ◆ Freezing may occur.
 - ◆ Steam.
 - ◆ Much dust.
 - ◆ Oil smoke.
 - ◆ Explosive dust or gas.
 - ◆ Corrosive gas.
 - ◆ Splashing water.
3. Install the unit horizontally; make the air outlet downward vertically.
4. Install the unit in sturdy place without vibration.
5. In order to prevent accident of electric shock, make sure that earthed reliably.